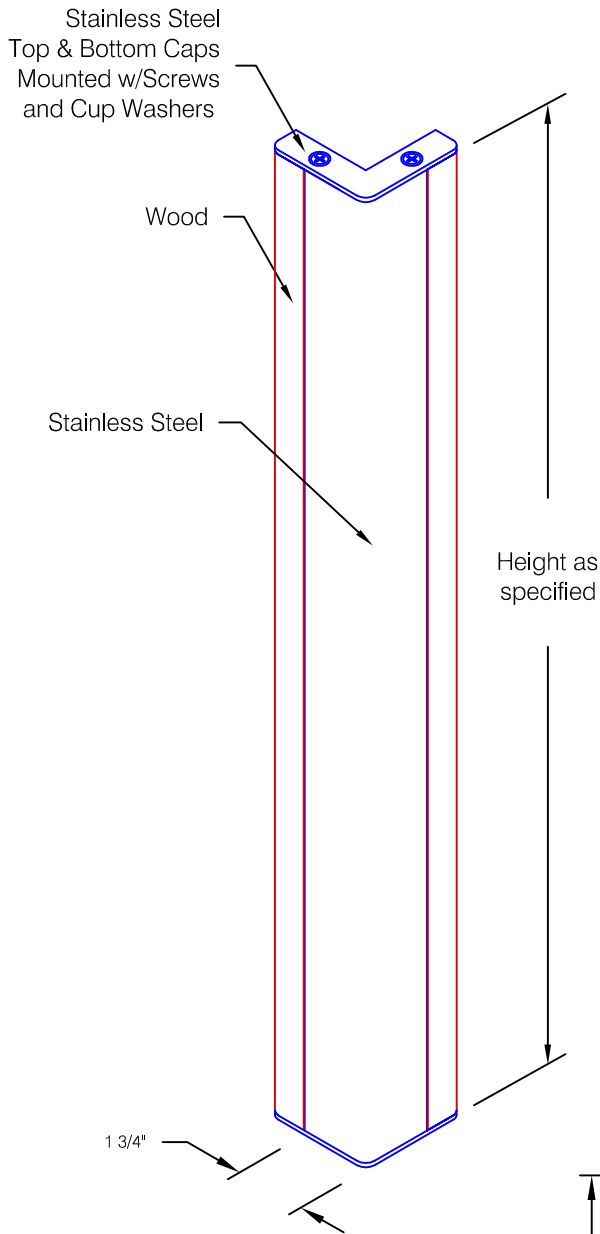


CGWS-275 Wood/SS Corner Guard



Features:

- Stock lengths: 4'-0" (1219), 8'-0" (2438),
- Custom cut lengths available
- Option with Stainless Steel top and bottom closure caps

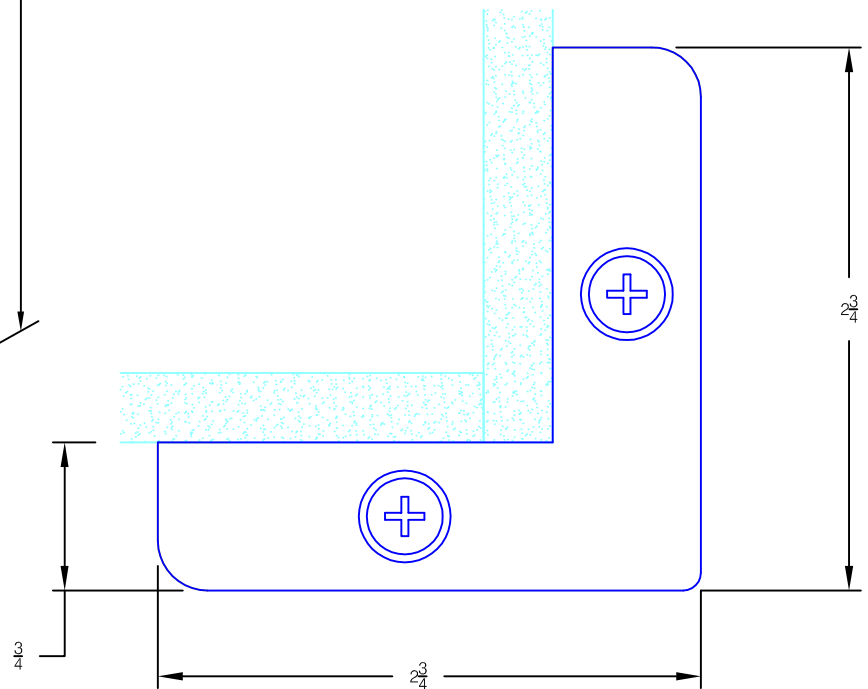
Finishes:

Wood

- Manufacturer's standard stain colors
- Oak, maple, or ash hardwoods
- Custom woods are available
- Custom stain colors available

Stainless Steel

- Type 304
- #4 Polished Finish



Customer :	Project :	WD.174.2a
Architect :	Sales Rep :	